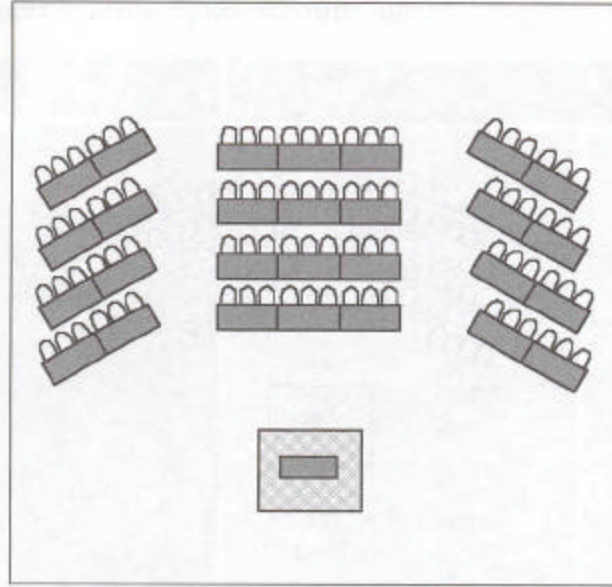
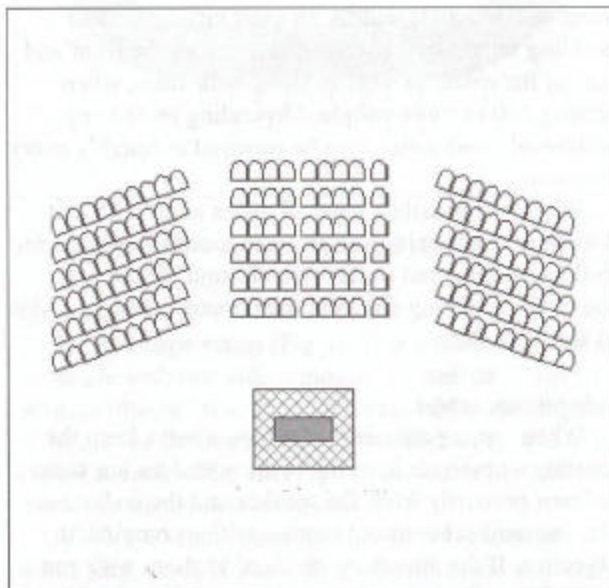


APPENDIX VIII: CLASSROOM ARRANGEMENT STRATEGIES

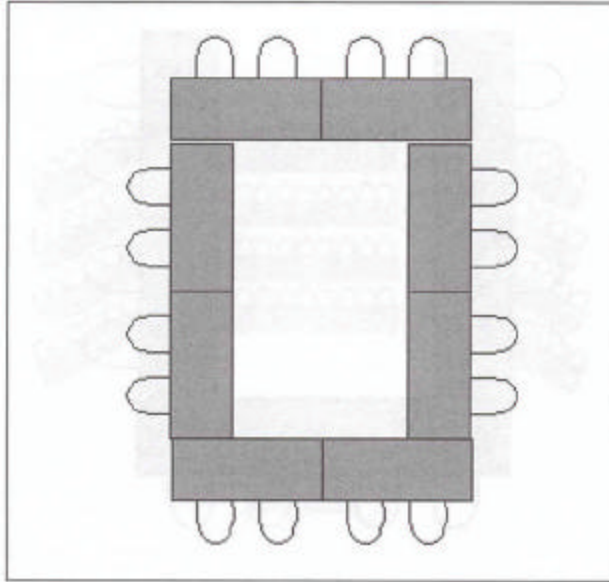
Traditional Lecture



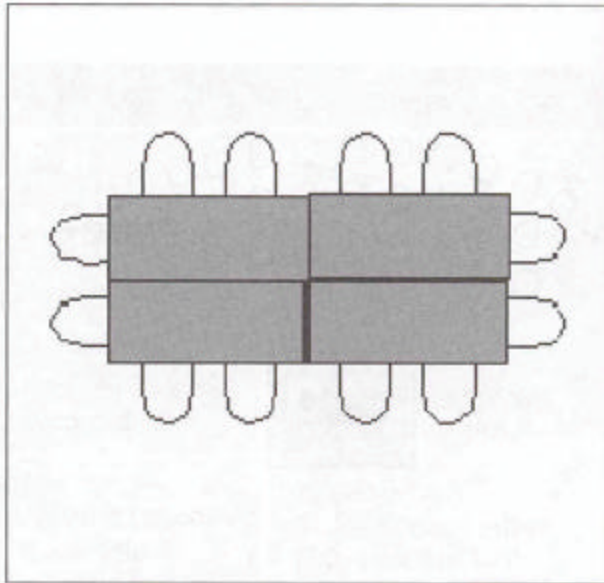
Theater Style



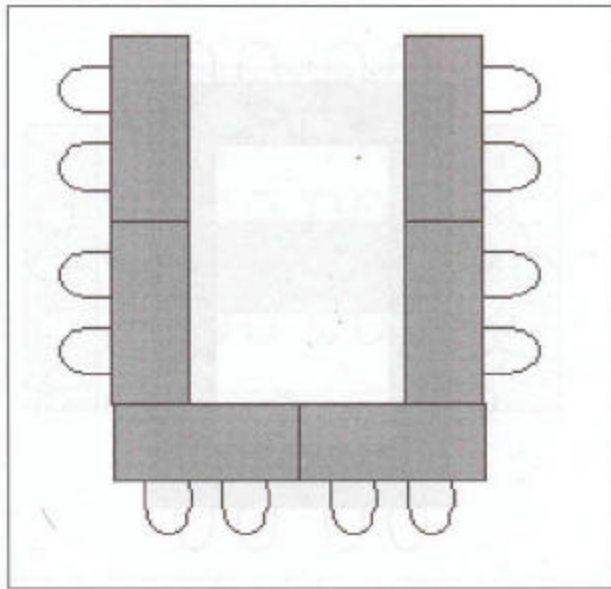
Circle, Square and Rectangle – Open



Circle, Square and Rectangle – Closed



Partial with Open Area



Group Work

