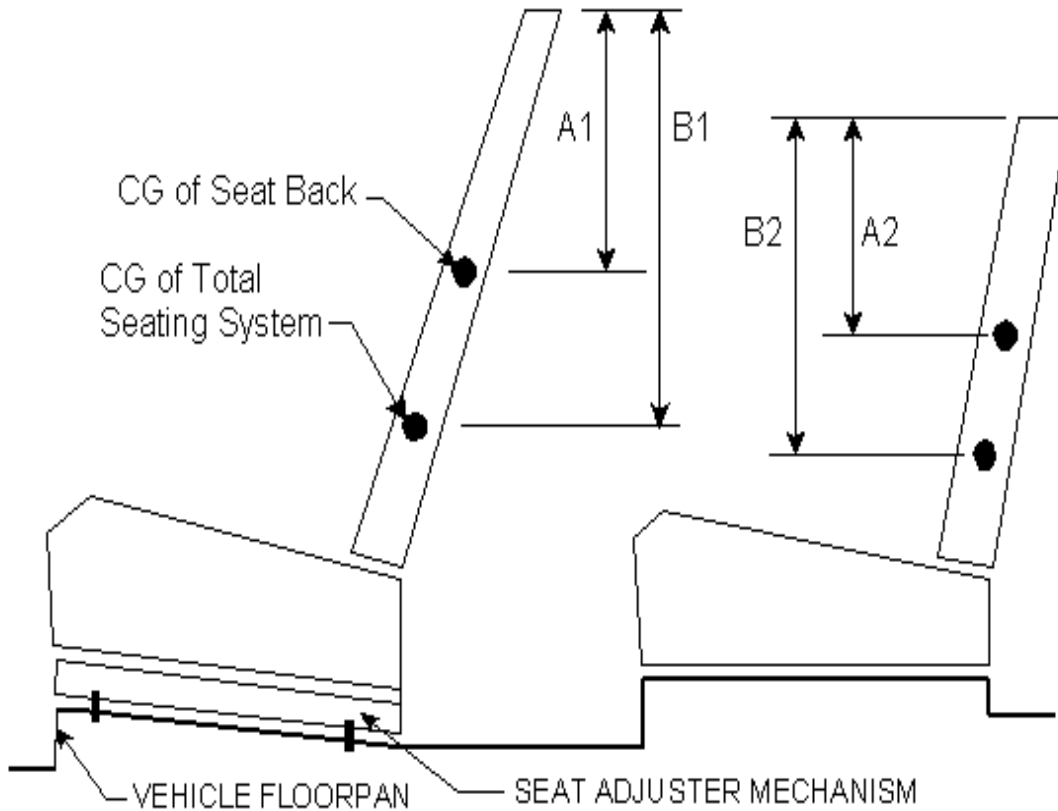


TEST VEHICLE SEAT INFORMATION

(All dimensions in inches)

Model Year: _____; Make: _____; Model: _____
 Body Style: _____; Seat Style: _____



Note: Angle of Seat Back is a measured angle between a line perpendicular to the floor and the centerline of the seat back.

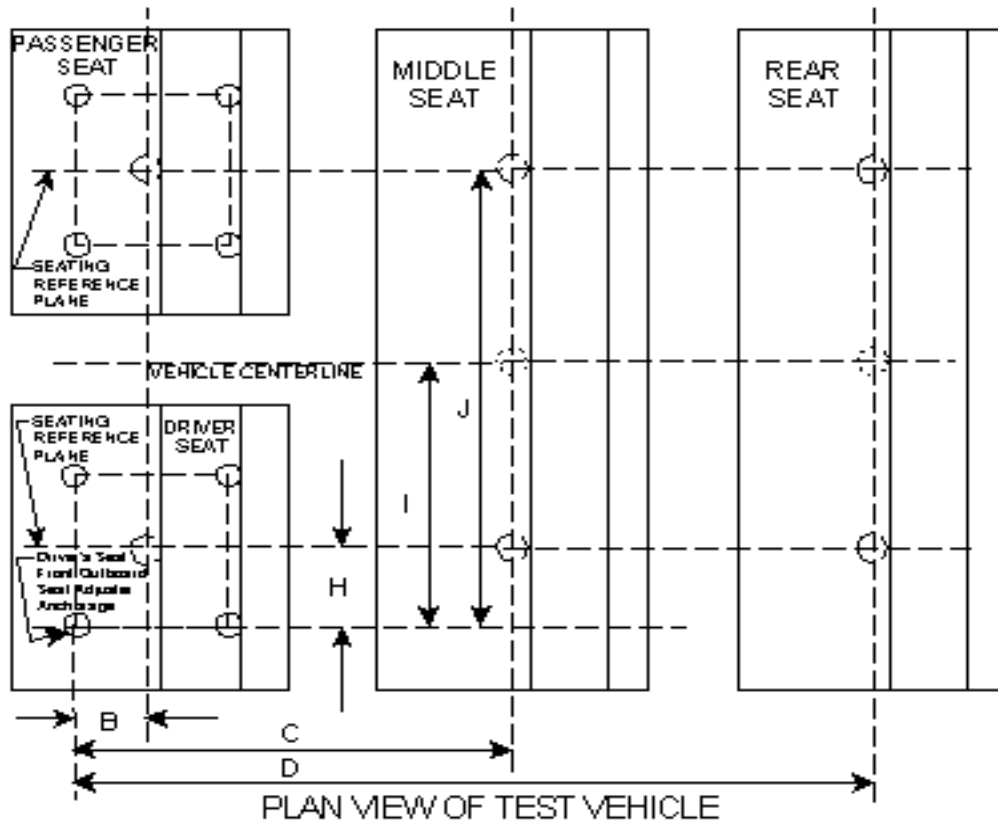
A1			FRONT	BACK
B1		Weight of Hinged or		

		Folding portion of seat		
A2		Weight of Total Seat System		
B2		Angle of Seat Back		

SEATING REFERENCE POINT (SRP) AND TORSO ANGLE DATA FOR FMVSS 201, 202, 203, 207 & 210

(All dimensions in inches)

Model Year: _____; Make: _____; Model: _____
 Body Style: _____; Seat Style: _____



B	
C	
D	

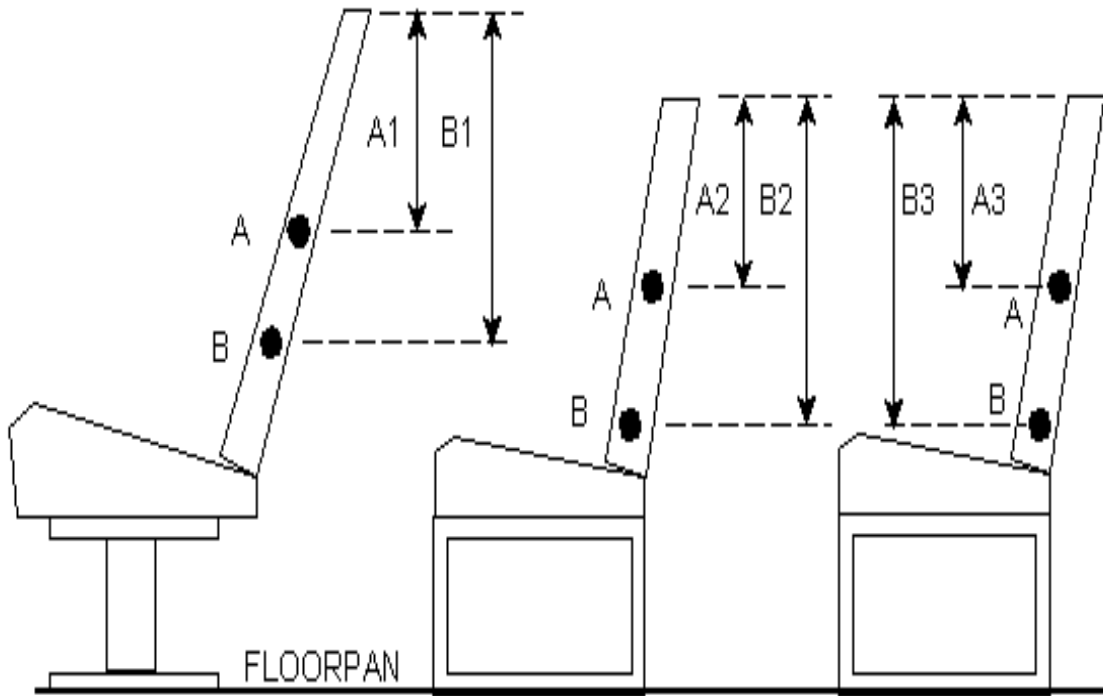
H*	
I*	
J*	

* Provide all dimensions needed to locate SRP.

TEST VEHICLE SEAT INFORMATION

(All dimensions in inches)

Model Year: _____; Make: _____; Model: _____
 Body Style: _____; Seat Style: _____



LEFT SIDE VIEW OF VEHICLE

Note: A: CG of Seat Back

B: CG of total seating system

A1			FRONT	BACK
B1		Weight of Hinged or Folding portion of seat		

A2		Weight of Total Seat System		
B2		Angle of Seat Back		
A3		REMARKS:		
B3				